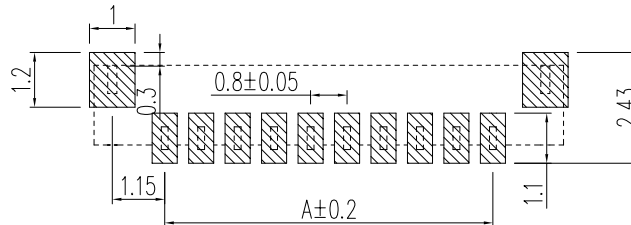
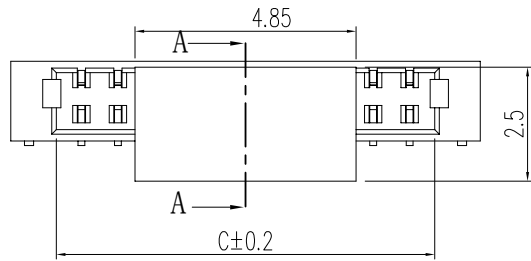
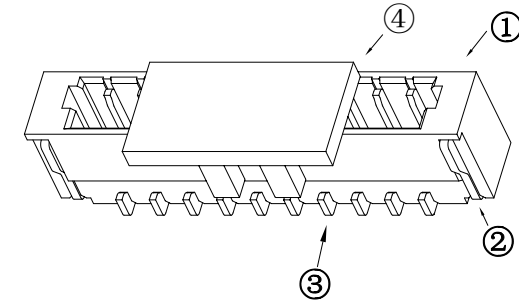
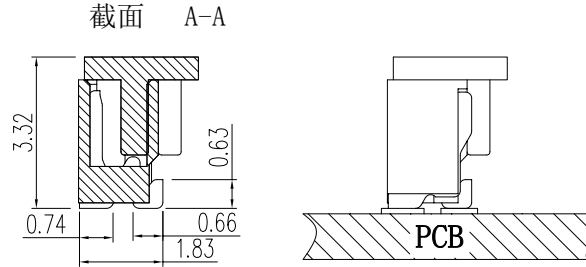
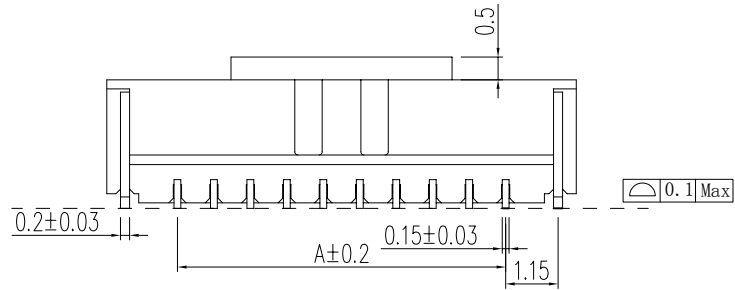
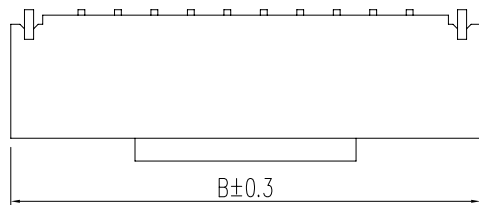


# HSF RoHS

REV	ECN NO	DESCRIPTION	DATE	NAME
A		NEW	6/16-20	HYJ



印制线路板



L0801AWW - \*\* - F2M B - \* - X

PART No.

No. OF CIRCUITS  
02~15

PLASTIC MATERIAL  
F2M=LCP (BEIGE)

SPECIAL CODE:CAP

PACKAGING  
R=REEL  
P=PE

PLATING  
B=MATTE Sn

1. 技术参数:

- 1.1 额定电流: 0.5A AC/DC
- 1.2 额定电压: 50V
- 1.3 耐电压: 500V ACminute
- 1.4 接触电阻: 20mΩ MAX
- 1.5 绝缘电阻: 100MΩ MIN
- 2. 工作温度: -25℃~+85℃

Circuits	Dimensions (mm)			Circuits	Dimensions (mm)		
	A	B	C		A	B	C
2P	0.8	3.90	1.90	12P	8.80	11.90	9.90
3P	1.6	4.70	2.70	13P	9.60	12.70	10.70
4P	2.4	5.50	3.50	14P	10.40	13.50	11.50
5P	3.2	6.30	4.30	15P	11.20	14.30	12.30
6P	4.0	7.10	5.10	16P	12.00	15.10	13.10
7P	4.8	7.90	5.90	17P	12.80	15.90	13.90
8P	5.6	8.70	6.70	18P	13.60	16.70	14.70
9P	6.4	9.50	7.50	19P	14.40	17.50	15.50
10P	7.2	10.30	8.30	20P	15.20	18.30	16.30
11P	8.0	11.10	9.10				

NO	物料名称	规格型号	数量(PCS)	材质	镀涂
①	基座	0.8	1	LCPE130i	本色
②	焊片	0.8	2	磷铜	锡
③	插针	0.8	2~20	磷铜	锡
④	盖板	0.8	1	LCPE130i	本色

TOLERANCE UNLESS OTHERWISE SPECIFIED	
LINER	ANGLES
.0 ±0.30	0.° ±3°
.00 ±0.20	.0° ±2°
.000 ±0.10	.00° ±1°

<b>LDCONN</b> 东莞连大精密制品有限公司 DongGuan LianDa Precision Products Co., LTD				
TITLE	WAFER-L PHO. 8 1XNP 立贴 带帽	DRAWN BY	HYJ	6/16-20
PART NO	L0801AWW-**-F2MB-**-X	CHECKED BY		
DRAWING NO		APPROVED BY		
SCALE	1:1	UNIT	mm	PAGE 1/1 SIZE A4